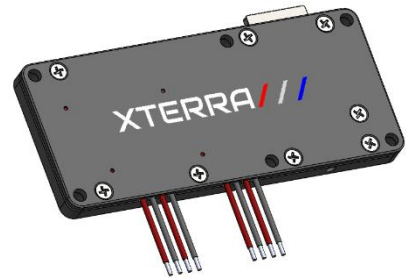


LRM – 15

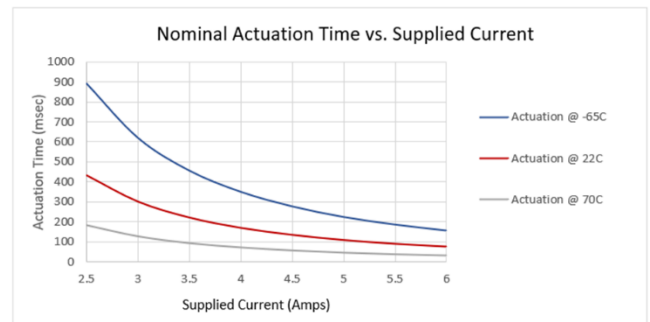
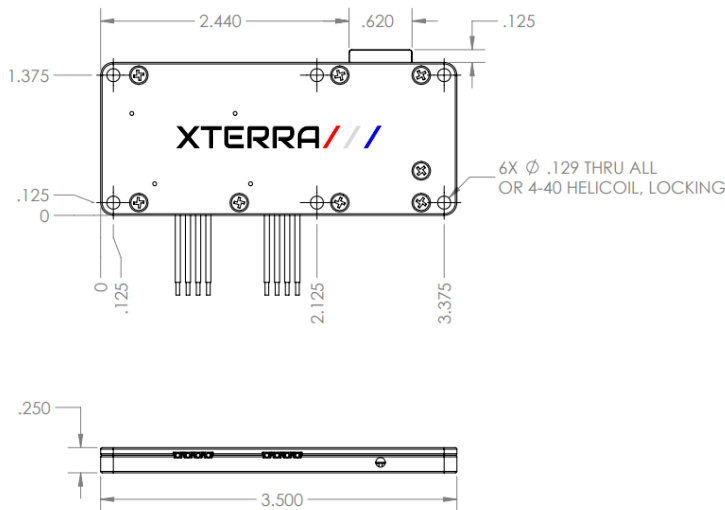
MSRP \$3,750

The XTERRA LRM-15 is an electrically redundant, fully resettable, shape memory alloy, low-profile 15lb latch type release mechanism providing .110" of travel with an initial pull force of 15lb in a flat package only .250" thick. Built on XTERRA's patent-pending planar SMA technology.



Specifications:

- 15lb, Min Pull Force
- 75lb, Max Recommended Lateral Release Load*
- .250 X 3.5 X 1.5" Envelope (latch protrudes as shown below)
- .110" Min Travel
- 4-40 Through Mounting Holes or 4-40 Locking-Helicoil
- Electrically Redundant Initiation Circuits w/Auto Power Cut-Off Feature
- Electrically Redundant Bypass Circuits for Single Use Operation
- 65C to 70C*
- 2.5 Amps Minimum for Auto-Cutoff Circuit Function, Bypass Min Mission Specific*



*Preliminary development data, qualification pending as of 1/19/23, final product may vary