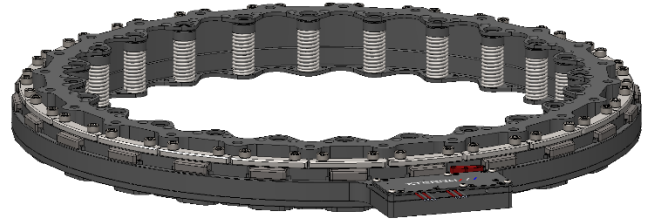


TITAN – 15

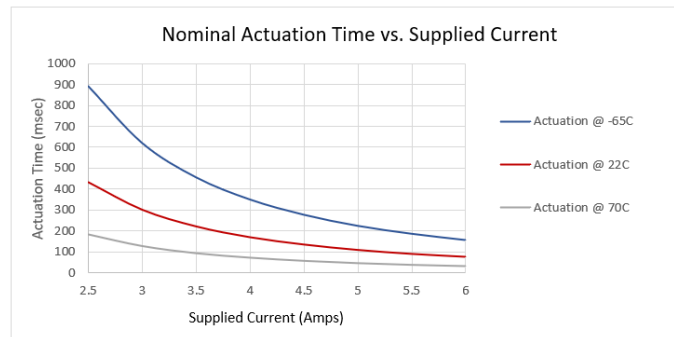
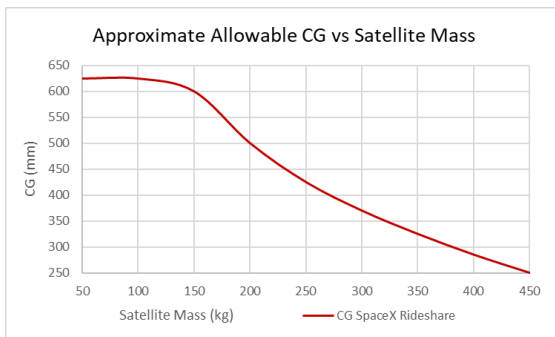
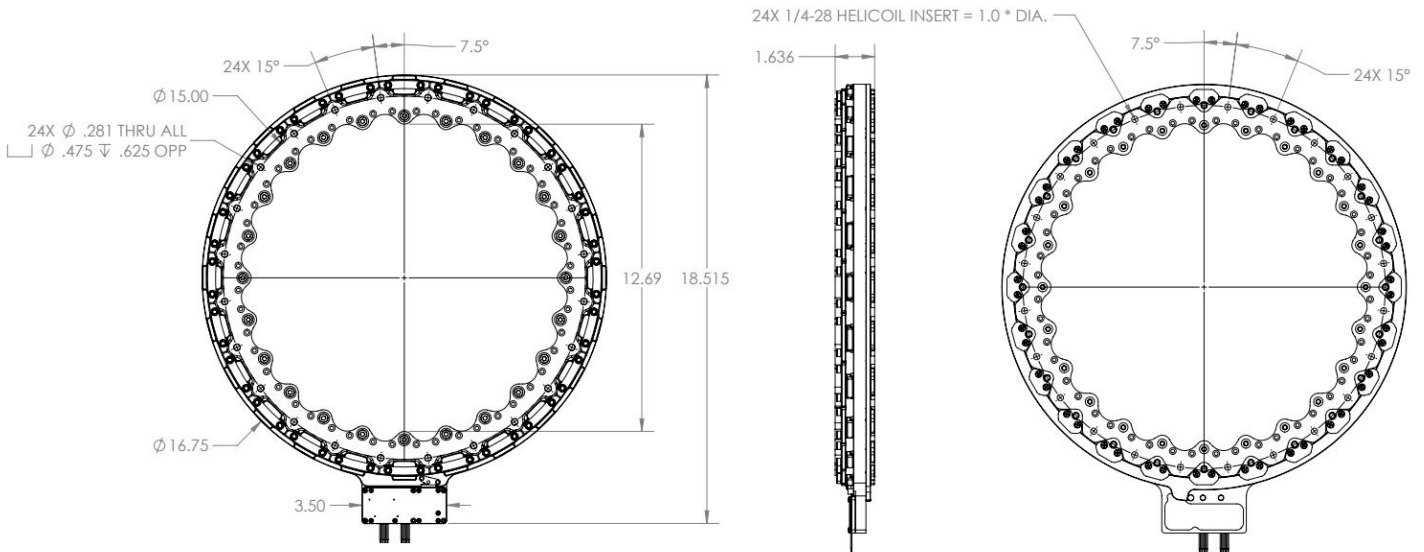
MSRP \$55,000

The XTERRA TITAN-15 is an electrically redundant, field resettable and fully reusable, shape memory alloy powered, low-profile small satellite separation system.



Specifications:

- 450kg Max Satellite Mass*
- 1,750lbf/segment maximum line load*
- 1.64 X 16.75 X 18.52" Envelope*
- 8.95lbs Mass**
- 15" ESPA Ring Compatible, QTY 24 X 1/4" Bolt Pattern
- Electrically Redundant Initiation Circuit
- 65C to 70C Operational Temperature Range*
- Field Resettable & Fully Reusable



*Preliminary design data, currently in development, final product may vary
 **Mass without customer specified accessories, such as separation springs, connectors, etc.