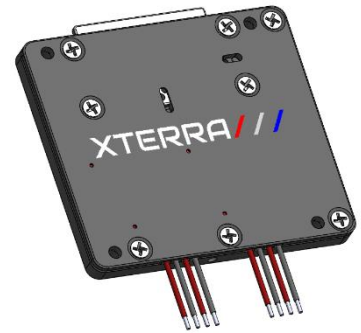


LRM – 65

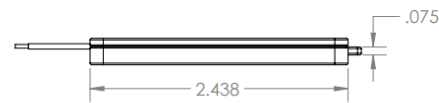
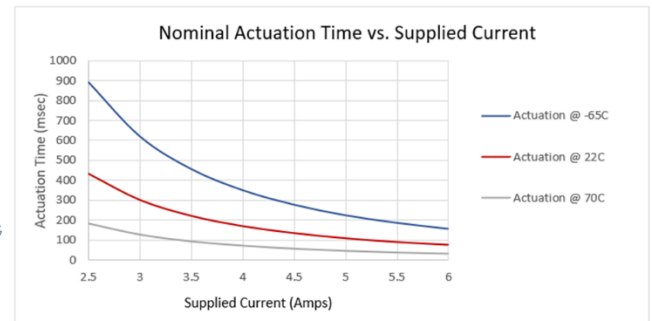
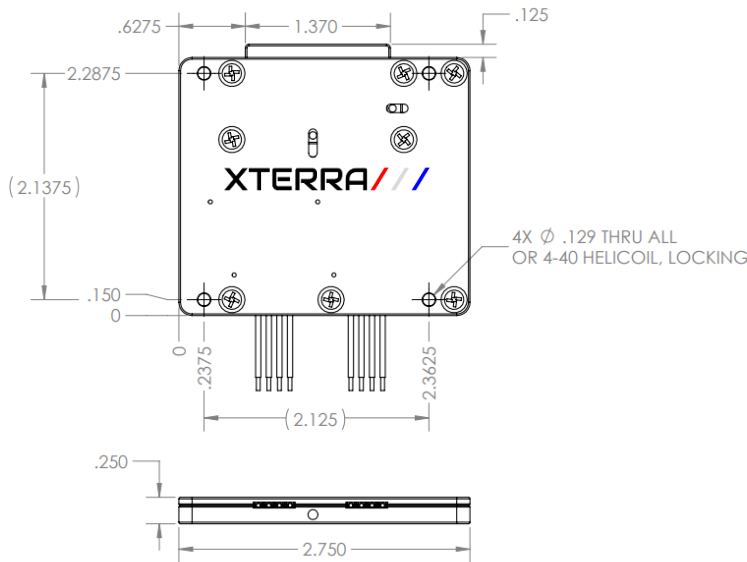
MSRP \$4,750

The XTERRA LRM-65 is an electrically redundant, fully resettable, shape memory alloy, low-profile 65lbf latch type release mechanism providing .110" of travel with an initial pull force of 65lbf in a flat package only .250" thick. Built on XTERRA's patent-pending planar SMA technology.



Specifications:

- 65lbf, Min Pull Force
- 325lbf, Max Recommended Lateral Release Load*
- .250 X 2.75 X 2.4375" Envelope (latch protrudes as shown below)
- .110" Min Travel*
- 4-40 Through Mounting Holes or 4-40 Locking-Helicoil
- Electrically Redundant Initiation Circuits w/Auto Power Cut-Off Feature
- Electrically Redundant Bypass Circuits for Single Use Operation
- 65C to 70C*
- 2.5 Amps Minimum for Auto-Cutoff Circuit Function, Bypass Min Mission Specific*



*Preliminary development data, qualification pending as of 1/19/23, final product may vary